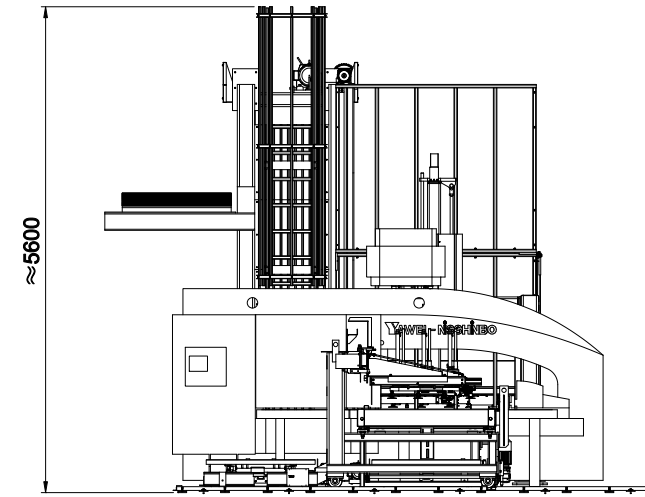
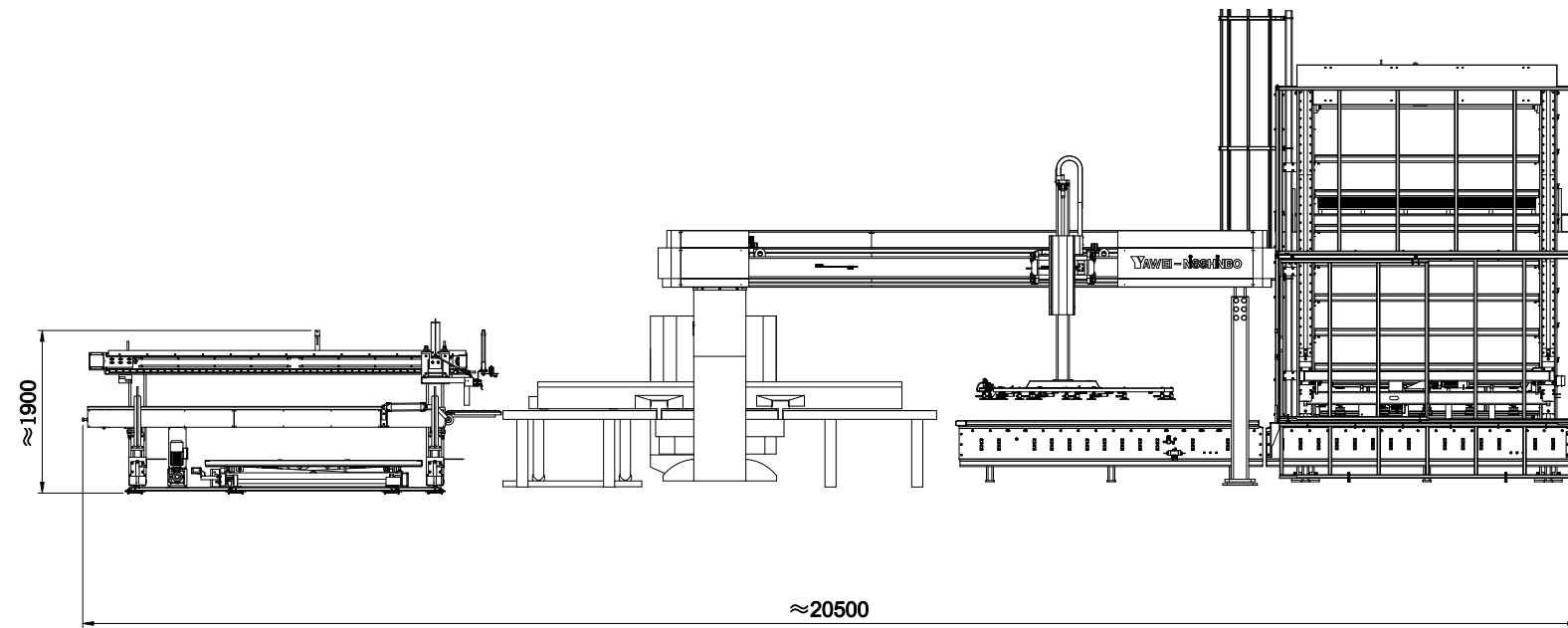


layout of HPE30510 FMS pass through L/UL with storage

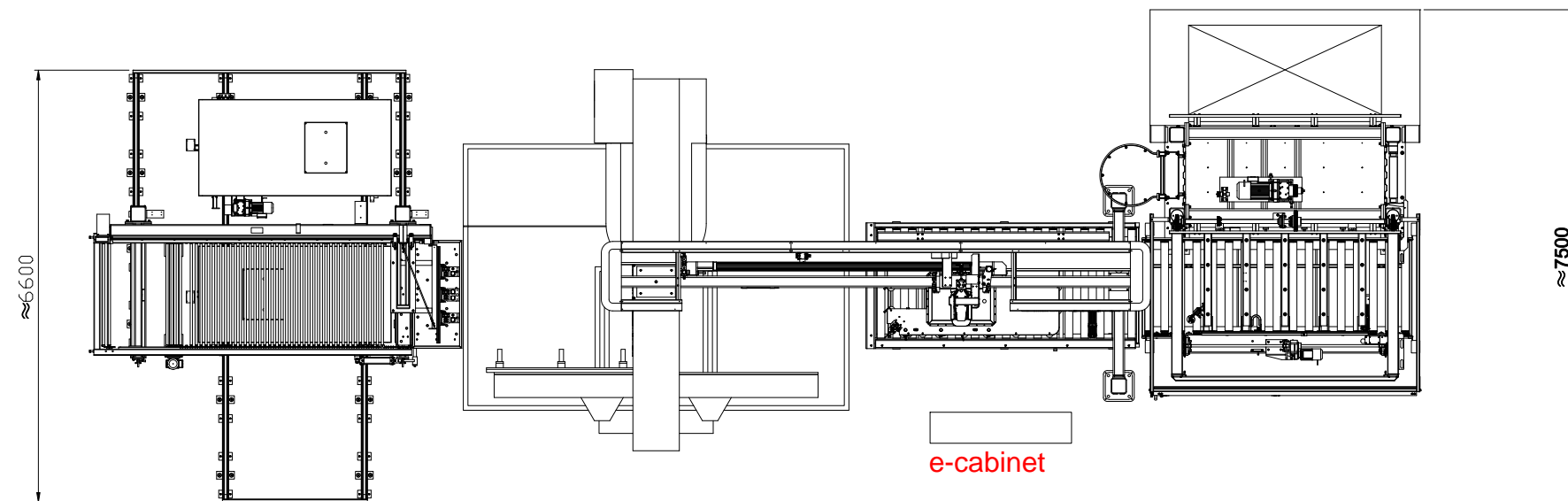


auto unloading system

CNC Turret Punch

auto loading system

storage



e-cabinet