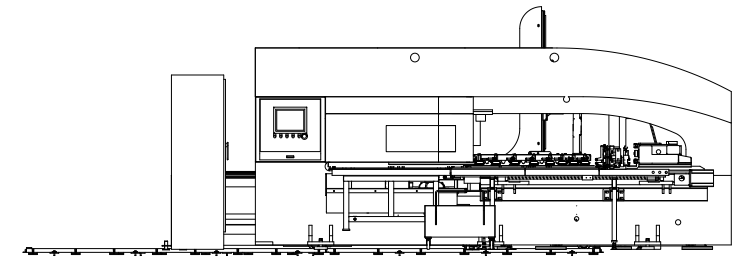
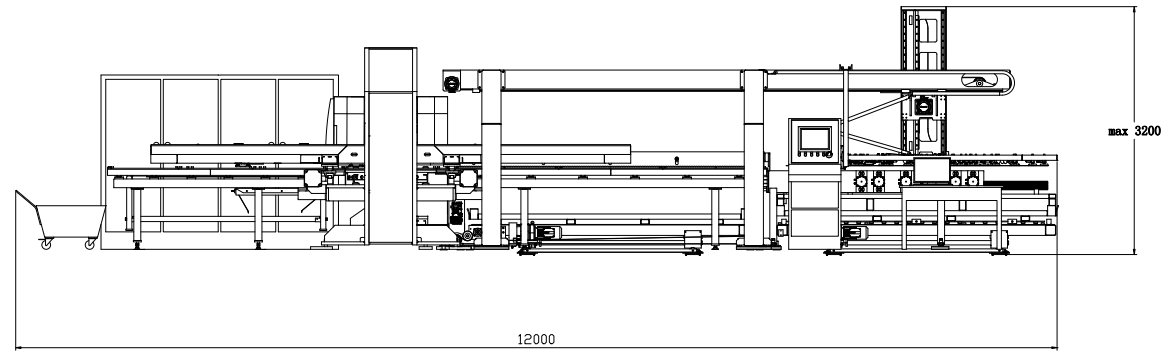
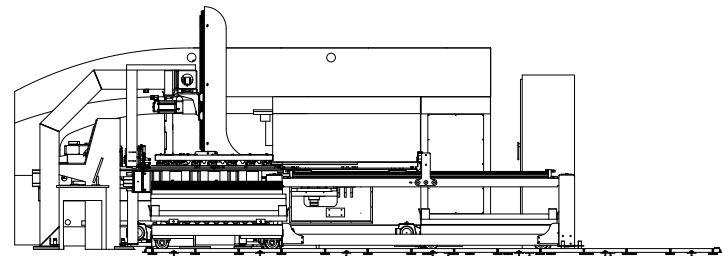
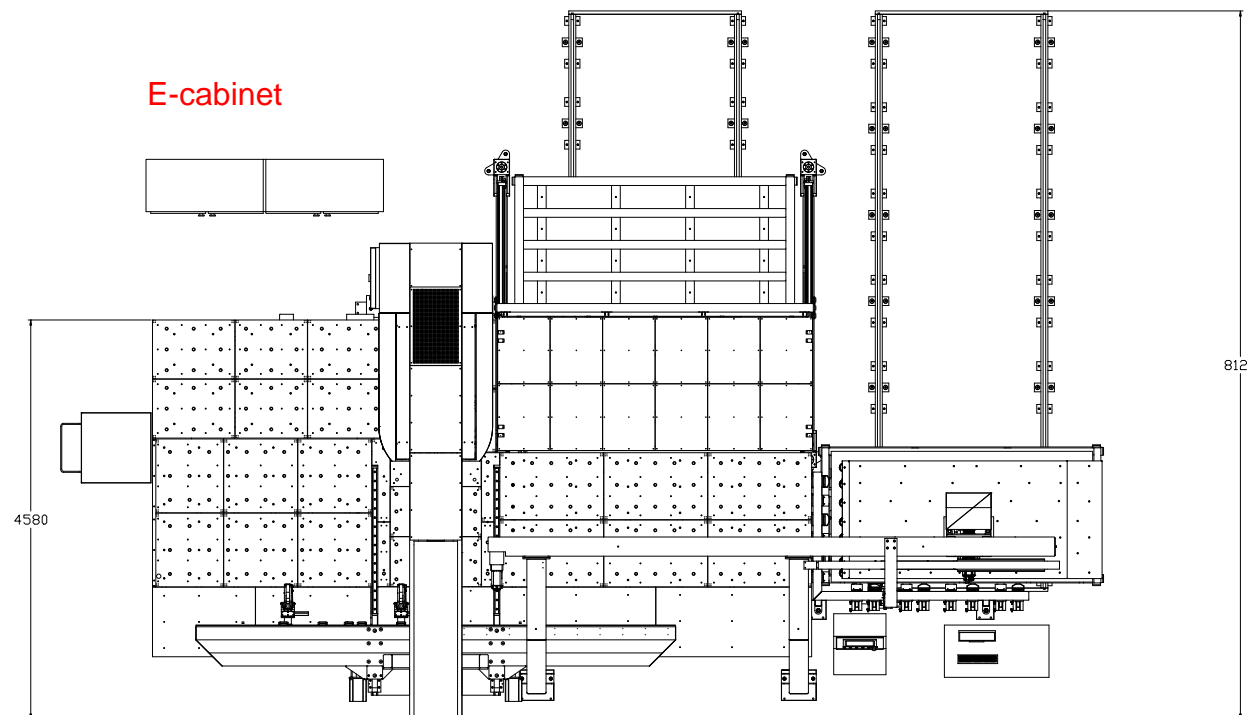


HPE30510 FMC same side L/UL processing system



auto unloading device

E-cabinet



CNC Turret Punch

auto loading device